

Remote Lung Module

A Spectra Printhead
Support Product



Remote Lung Module

Features:

- Deaeration incorporating Dimatix's patented lung technology
- Optional heater and thermistor
- Stackable for increased capacity
- Materials chosen for aggressive fluids

The Remote Lung Module is an efficient and robust in-line degassing device for use with one or more Spectra® jetting assemblies.

The Remote Lung Module is a compact degassing unit capable of providing support for Spectra jetting assemblies operating with aggressive liquid inks. It provides the same deaeration functionality as the lung found in Spectra printheads and remote reservoirs.

As the ink moves through the lung, an externally-supplied vacuum removes dissolved gasses from the jetting fluid. This degassing function is essential for fast priming and for preventing bubble growth in the ink at high jetting frequencies.

An optional heater cartridge and thermistor temperature sensor are available for increased degassing performance and for thermal control of ink viscosity.

A valuable tool for Flat Panel Display fabrication and other high-value applications, the Remote Lung Module can aid with degassing testing – a functionality increasingly needed for expanding ink and product ranges.

The only materials in contact with the ink are PFE, 316 stainless steel, and perfluoroethylene. This allows for compatibility with a number of fluids including:

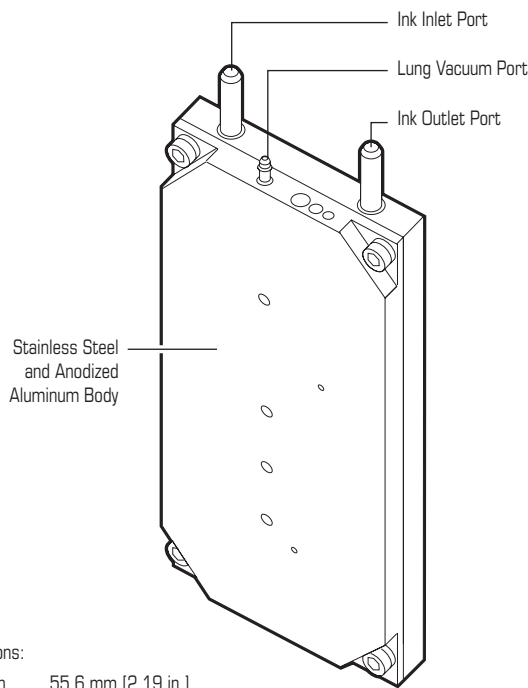
- water
- acids as low as pH 2
- PEDOT
- salts
- bases as high as pH 8
- ionic surfactants
- acid dyes
- disperse dyes
- reactive and direct dyes
- organic & inorganic pigments



www.dimatix.com

Parameter	Remote Lung
Flow rate	up to 1 cc/second
Lung vacuum	≥ 67 KPa (20 inHg) gage
Onboard fluid volume	< 3 cc
Compatible fluids	most solvents and aqueous fluids
Operating temperature range	up to 90°C
Typical ink viscosity (at operating temperature)	8-20 cP
Heater and thermistor	optional

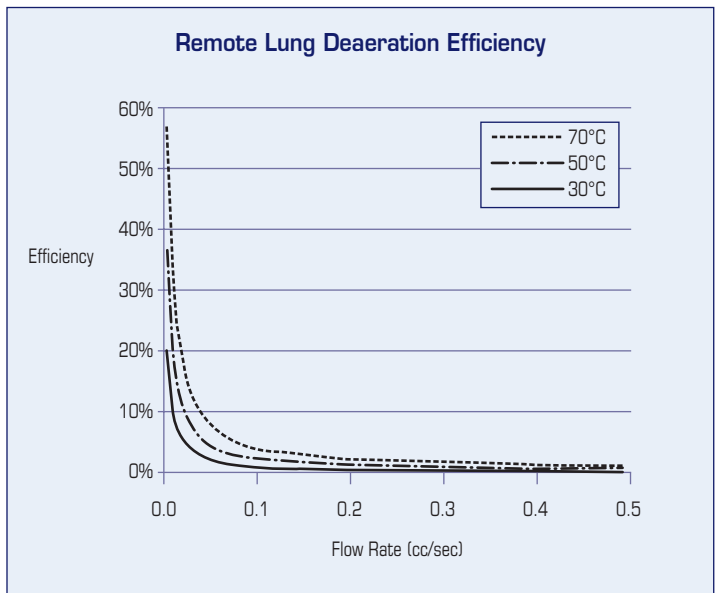
Physical Characteristics



Dimensions:
 Width 55.6 mm [2.19 in.]
 Length 109.7 mm [4.32 in.]
 Thickness 12.7 mm [0.50 in.]

Weight:
 340 g (0.75 lb)

Lung Performance



Product data presented above are for guideline purposes only. For design and engineering work using this product, please contact Dimatix Technical Support for the appropriate Product Manual containing full Product Specifications.



Corporate Office:
 FUJIFILM Dimatix, Inc.
 2230 Martin Avenue
 Santa Clara, CA 95050
 USA

Tel: (408) 565-9150
 Fax: (408) 565-9151
 Email: info@dimatix.com

New Hampshire Facility:
 FUJIFILM Dimatix, Inc.
 109 Etna Road
 Lebanon, NH 03766
 USA

Tel: (603) 443-5300
 Fax: (603) 448-9870
 Email: info@dimatix.com

Japan Office:
 Advanced Marking Business Division
 FUJIFILM Corporation
 Midtown West, 7-3, Akasaka 9-Chome
 Minato-ku, Tokyo 107-0002
 Japan

Tel: +81 3 6271 1091
 Fax: +81 3 6271 1165
 E-mail: front.ambd@fujifilm.co.jp

European Office:
 Tel: +44 7739 863 505
 Fax: +44 870 167 4328
 Email: euro@dimatix.com

Korean Office:
 Tel: +82 2 6242 6012
 Fax: +82 2 6247 6012
 Email: korea@dimatix.com

China Office:
 Email: china@dimatix.com