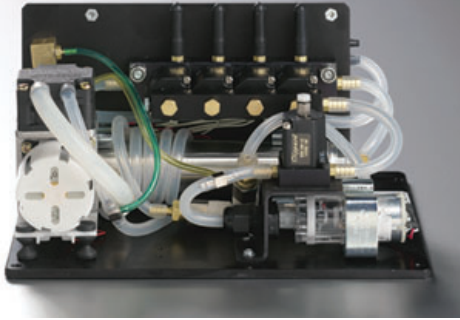


# Meniscus Pressure Controller

A Spectra® Printhead  
Support Product



MPC Pneumatic Interface



MPC Electronics Interface

## Features:

- Small compact design
- Provides meniscus vacuum for up to 4 reservoirs
- Wide range of vacuum set points
- Adjustable purge pressure
- +12 Volts dc operation
- 60 Milliliter per minute per channel intake capacity
- Low vacuum alarm
- Optional Fluid-in-Line Monitor
- CE Certified

*The Spectra® Meniscus Pressure Controller (MPC) is an efficient, compact, self-contained unit for maintaining and controlling meniscus/purge pressure for Spectra printheads and jetting assemblies.*

The MPC is a compact 4-channel standalone device used to control and maintain meniscus vacuum for Nova and Galaxy 256-channel printheads, S-Class jetting assemblies and M-Class Hex printheads.

The unit has meniscus/purge ports for up to 4 printheads or reservoirs. Each channel can be individually purged with no loss of meniscus vacuum to other active channels and is independently controlled by its own discrete input.

The MPC has a compact footprint of 211 w x 171.5 d x 115.3 mm (8.3 x 6.75 x 4.5 in.) and is insensitive to mounting orientation making for easy integration into an existing system. The MPC's manifold construction, tubing, valves, fittings and other components are resistant to the vapors created by UV curable, solvent and aqueous inks. The unit is CE certified.

The system provides both visual and electrical indication of low meniscus vacuum. An optional Fluid inLine Monitor (FiLM) is available as an economical and effective safeguard to reduce the possibility of damage to the unit in the event fluid overflows into a meniscus vacuum line.

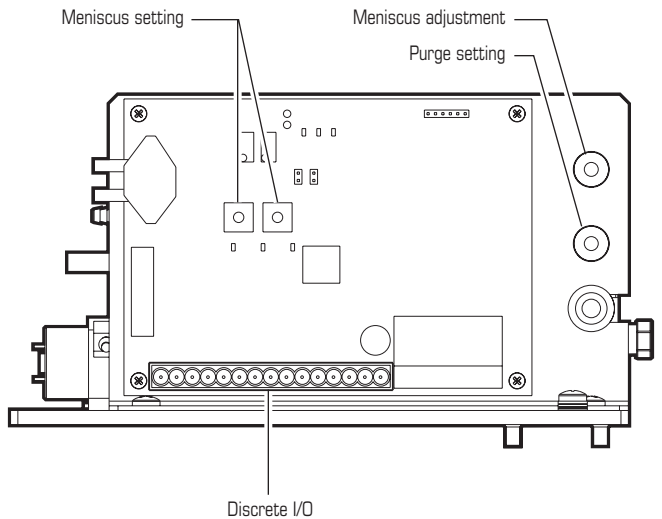
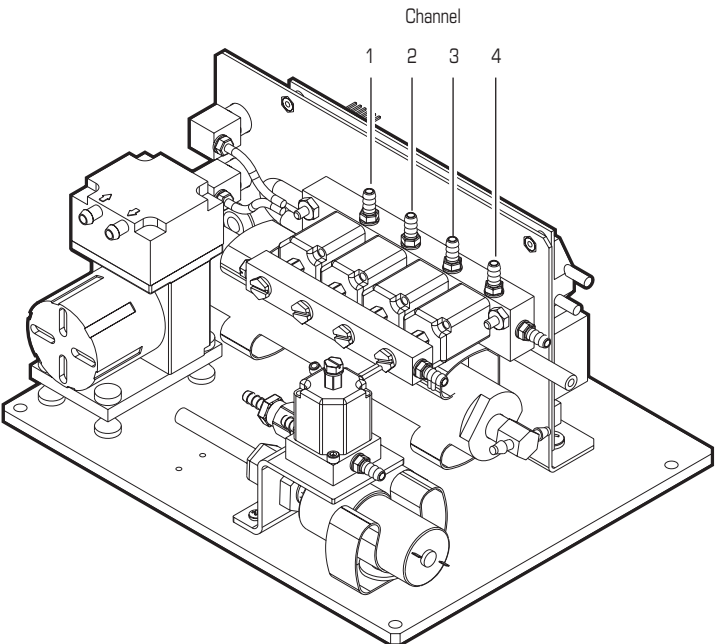


[www.dimatix.com](http://www.dimatix.com)

Parameter	MPC
Power input	12 Vdc $\pm$ 0.5V, 1Amp
Meniscus vacuum adjustment range	5 - 20 millibar [2 - 8 in. H <sub>2</sub> O]
Meniscus vacuum regulation (no load)	$\pm$ 0.6 millibar [ $\pm$ 0.25 in. H <sub>2</sub> O]
Purge pressure adjustment range	70 - 700 millibar [1 - 10 PSIG]
Control	Discrete I/O
Intake capacity	60 milliliters per minute per channel

## Physical Characteristics

## Controller Inputs/Outputs



**Dimensions:**

Width 171.45 mm [6.75 in.]  
 Length 211 mm [8.30 in.]  
 Height 115.3 mm [4.50 in.]

**Weight:**

1.7 Kg [3.75 lbs.]

Product data presented above are for guideline purposes only. For design and engineering work using this product, please contact Dimatix Technical Support for the appropriate Product Manual containing full Product Specifications.



**Corporate Office:**  
 FUJIFILM Dimatix, Inc.  
 2230 Martin Avenue  
 Santa Clara, CA 95050  
 USA

Tel: (408) 565-9150  
 Fax: (408) 565-9151  
 Email: info@dimatix.com

**New Hampshire Facility:**  
 FUJIFILM Dimatix, Inc.  
 109 Etna Road  
 Lebanon, NH 03766  
 USA

Tel: (603) 443-5300  
 Fax: (603) 448-9870  
 Email: info@dimatix.com

**Japan Office:**  
 Advanced Marking Business Division  
 FUJIFILM Corporation  
 Midtown West, 7-3, Akasaka 9-Chome  
 Minato-ku, Tokyo 107-0002  
 Japan

Tel: +81 3 6271 1091  
 Fax: +81 3 6271 1165  
 E-mail: front.ambd@fujifilm.co.jp

**European Office:**  
 Tel: +44 7739 863 505  
 Fax: +44 870 167 4328  
 Email: euro@dimatix.com

**Korean Office:**  
 Tel: +82 2 6242 6012  
 Fax: +82 2 6247 6012  
 Email: korea@dimatix.com

**China Office:**  
 Email: china@dimatix.com